

LBS-3675-HP-REG

## 36V 75Ah High Power (HP) REG

### DESCRIPTION

Constructed using the latest lithium iron phosphate cells, these prismatic cells are the highest quality in a metal hard case. The battery has an inbuilt solid-state Battery Management System (BMS) which offers sophisticated internal management, balancing and diagnostics.

The battery can power larger loads up to 150A of continuous discharge and 500A surge. It can also be charged at up to 70A, replenishing the battery in ~1 hour. These high-power units can be placed into parallel for capacity increase and current increases.

The strong aluminium enclosure delivers a safe, lightweight and powerful unit which is the perfect building block for next generation battery systems.

### SPECIFICATIONS

|                   |                                   |
|-------------------|-----------------------------------|
| Model             | LBS-3675-HP-REG                   |
| Capacity          | 75Ah                              |
| Nominal Voltage   | 36V                               |
| Type              | LiFePO4                           |
| Charge Voltage    | 43.8V max                         |
| Charge Current    | 70A                               |
| Discharge Current | 150A max continuous<br>500A surge |
| Operating Temp    | 0-45°C                            |
| Weight            | 23kg                              |
| Life at 80% DoD   | 2,000 cycles                      |
| Life at 50% DoD   | 5,000 cycles                      |
| Dimensions:       |                                   |
| Length            | 335mm                             |
| Depth             | 250mm                             |
| Height            | 260mm                             |

### FEATURES

- ✓ Internal BMS with state of charge LEDs
- ✓ Charge at up to 70A
- ✓ Discharge at 150A and 500A surge
- ✓ Strong aluminium enclosure
- ✓ Positive & negative terminals
- ✓ Light weight just 23kg
- ✓ LBS Verified Design
- ✓ LBS Triple Guard Safety Protection
- ✓ Designed and fully assembled in Australia

### OPTIONAL EXTRAS

- ✓ Mounting bracket kit
- ✓ Cable connection kit
- ✓ Monitoring kit

### VERIFIED DESIGNS

- ✓ AC chargers
- ✓ DCDC controllers
- ✓ Inverters

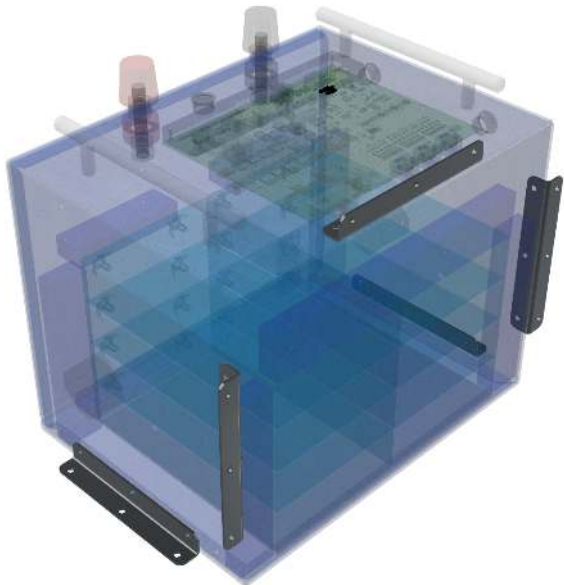
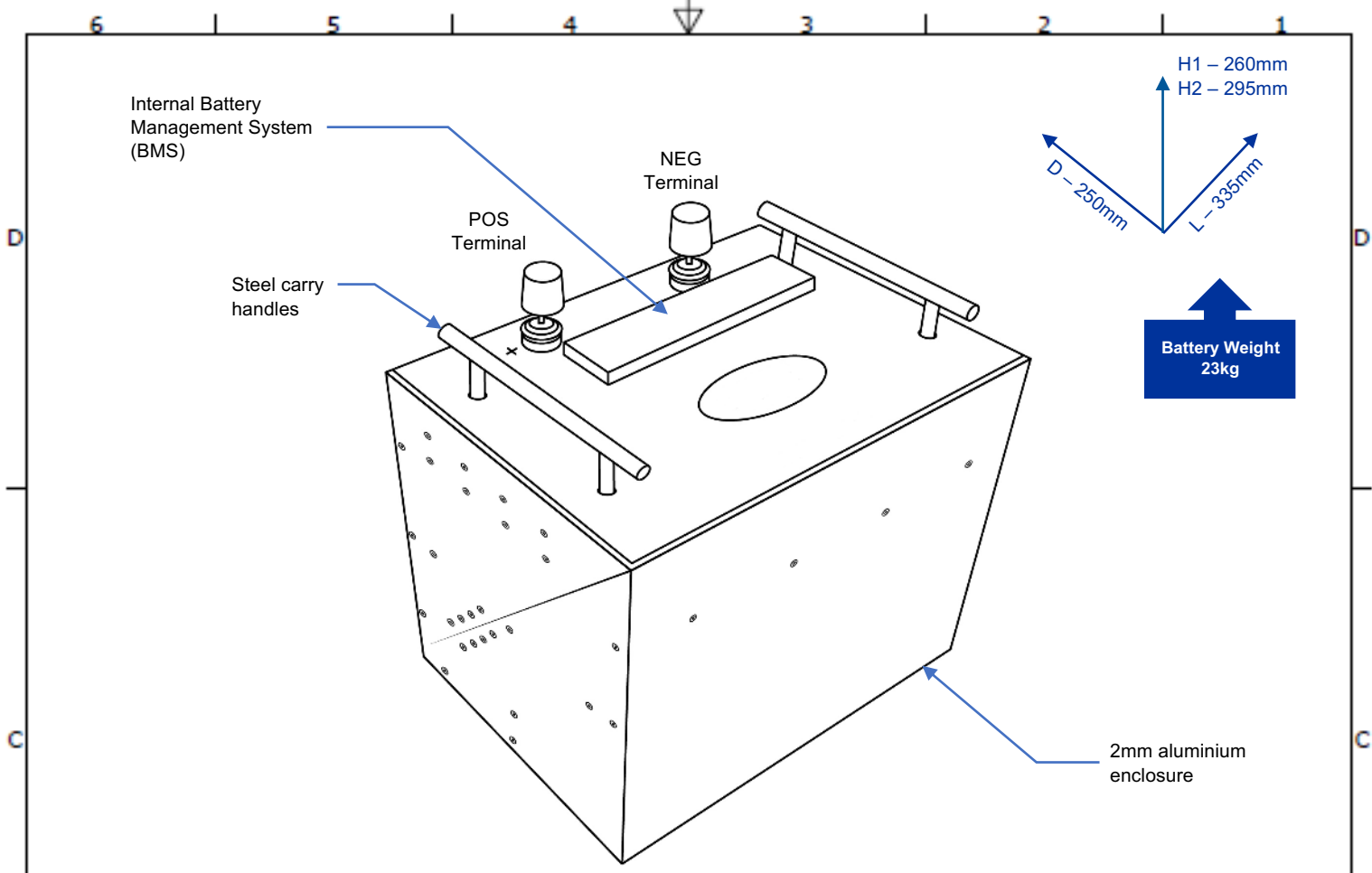
### APPLICATIONS



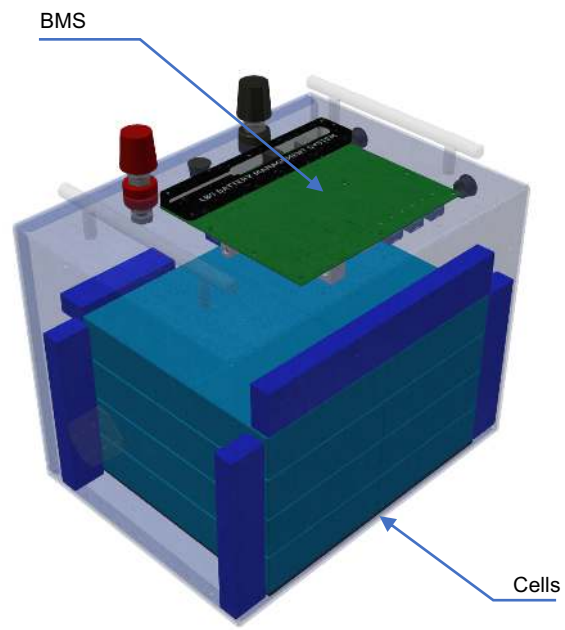
Australian designed,  
engineered and built

WARRANTY





Mounting Bracket Options



Transparent

|   |    |            |    |             |    |                     |  |         |       |
|---|----|------------|----|-------------|----|---------------------|--|---------|-------|
| Designed by   | SS | Checked by | VT | Approved by | GM | Date                |  | Date    |       |
| 36V 75Ah High Power (HP) Lithium Iron Phosphate Battery |    |            |    |             |    | LBS-3675-HP-REG     |  |         |       |
|   |    |            |    |             |    | LBS-DWG-3675-HP-REG |  |         |       |
|   |    |            |    |             |    |                     |  | Edition | 0     |
|   |    |            |    |             |    |                     |  | Sheet   | 1 / 1 |