

LBS-24110-HP-REG

24V 110Ah High Power (HP) REG

DESCRIPTION

Constructed using the latest lithium iron phosphate cells, these prismatic cells are the highest quality in a metal hard case. The battery has an inbuilt solid-state Battery Management System (BMS) which offers sophisticated internal management, balancing and diagnostics.

The battery can power larger loads up to 200A of continuous discharge and 500A surge. It can also be charged at up to 150A, replenishing the battery in less than 1 hour. These high-power units can be placed into parallel for capacity increase and current increases to power larger loads.

The strong aluminium enclosure delivers a safe, lightweight and powerful unit which is the perfect building block for next generation battery systems.

SPECIFICATIONS

Model	LBS-24110-HP-REG
Capacity	110Ah
Nominal Voltage	24V
Type	LiFePO4
Charge Voltage	29.2V max
Charge Current	150A
Discharge Current	200A max continuous 500A surge
Operating Temp	0-45°C
Weight	23kg
Life at 80% DoD	2,000 cycles
Life at 50% DoD	5,000 cycles
Dimensions:	
Length	335mm
Depth	250mm
Height	260mm

FEATURES

- ✓ Internal BMS with state of charge LEDs
- ✓ Charge at up to 150A
- ✓ Discharge at 200A and 500A surge
- ✓ Strong aluminium enclosure
- ✓ Positive & negative terminals
- ✓ Light weight just 23kg
- ✓ LBS Verified Design
- ✓ LBS Triple Guard Safety Protection
- ✓ Designed and fully assembled in Australia

OPTIONAL EXTRAS

- ✓ Mounting bracket kit
- ✓ Cable connection kit
- ✓ Monitoring kit

VERIFIED DESIGNS

- ✓ AC chargers
- ✓ DCDC controllers
- ✓ Inverters

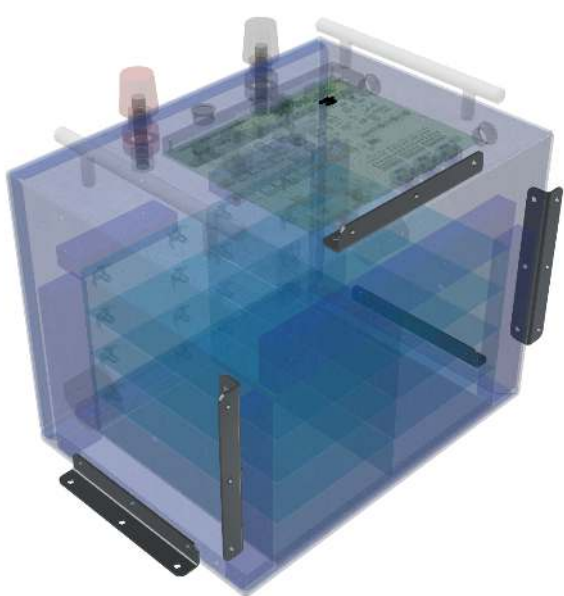
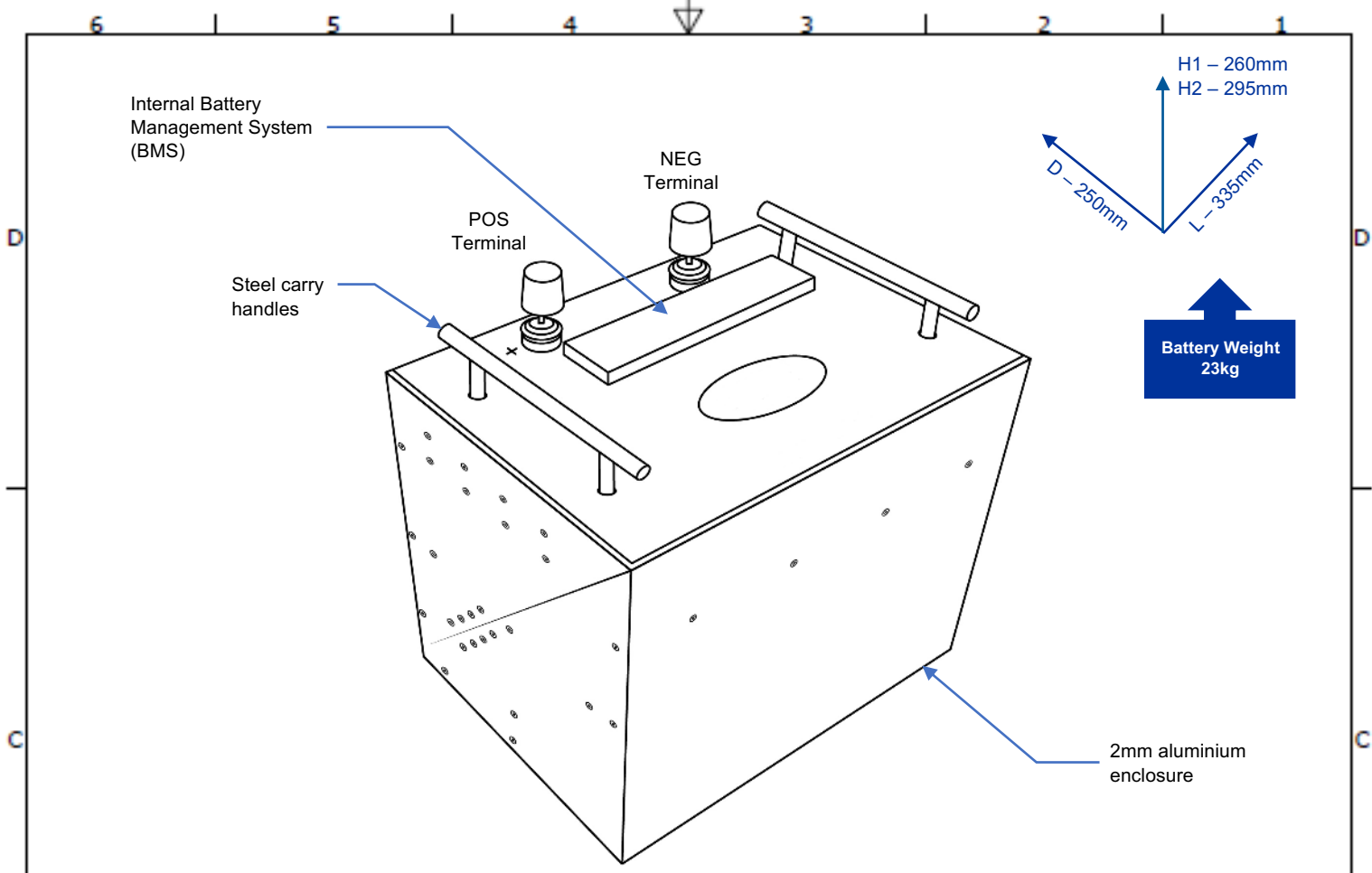
APPLICATIONS



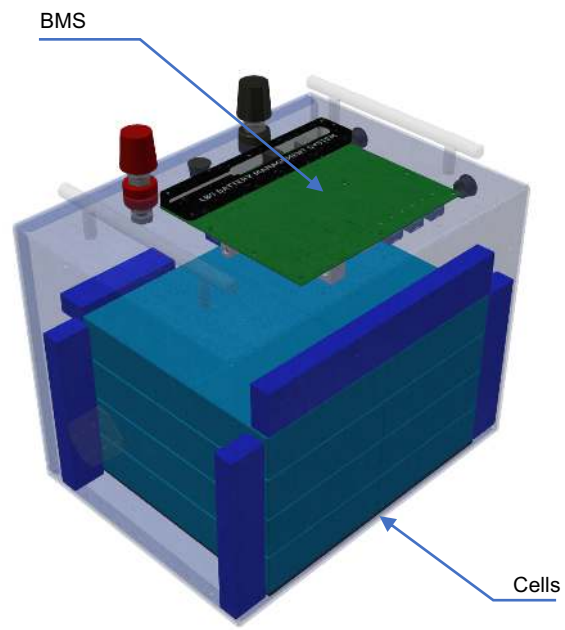
Australian designed,
engineered and built

WARRANTY





Mounting Bracket Options



Transparent

Designed by	SS	Checked by	VT	Approved by	GM	Date		Date	
24V 110Ah High Power (HP) Lithium Iron Phosphate Battery						LBS-24110-HP-REG			
LBS-DWG-24110-HP-REG						Edition	0	Sheet	1 / 1