

## 12V 75Ah Slimline Battery

Constructed using the latest lithium iron phosphate cells. These prismatic cells are the highest quality in a metal hard case. The battery has an inbuilt Battery Management System (BMS) designed and developed in Australia.

At just under 10 kg, the unique slimline shape makes it the perfect battery for installations where space is a premium. Slide it behind a seat, bolt it to a wall or at the back of a cupboard.

The battery provides up to 120A of continuous discharge or can accept up to 70A of charge and can be used in parallel to increase capacity. Charge and discharge via the grey Anderson plugs.

The strong aluminium outer enclosure delivers a safe, lightweight and powerful unit which is the perfect building block for next generation battery systems.

### SPECIFICATIONS

#### LBS-1275-SL120

Chemistry	LiFePO <sub>4</sub>
Nominal Voltage	12 V
Nominal Capacity	75 Ah
Nominal Energy	0.9 kWh
Input Charge Voltage	13.8 V - 14.6 V 14.0 V recommended
100% SoC Voltage	13.8 V
Low Voltage cut-off	10.5 V approx
Charge Current	70 A max
Discharge Current	120 A max cont. 240 A surge
Operating Temp.	See overleaf
Weight	9.9 kg
Packaged Weight	10.3 kg approx.
Life at 80% DoD	2000 cycles
Life at 50% DoD	5000 cycles
Parallel Capable	Yes
Series Capable	Yes (Max. 2 in series)
Size	L 636 mm D 256 mm H 50 mm



### FEATURES

- ✓ Strong, compact aluminium enclosure
- ✓ Internal BMS
- ✓ Over/Under voltage protection
- ✓ Overcurrent protection
- ✓ Short circuit protection
- ✓ 2x Grey Anderson (Max 120A each)
- ✓ Designed and fully assembled in Australia



DS005\_LBS-1275-SL120\_V5  
© Copyright 2023 LBS

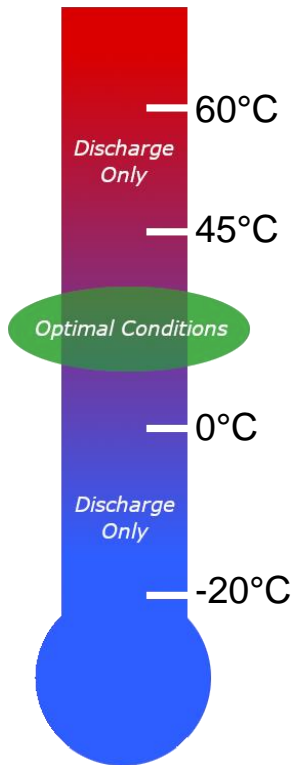
[www.lithiumbatterysystems.com.au](http://www.lithiumbatterysystems.com.au)



Powering Freedom™

## 12V 75Ah Slimline Battery

### TEMPERATURE NOTICE



At temperatures above 60°C, the battery must **NOT** be **operated** (charge or loads). Please move the battery into a cooler environment.

At temperatures above 45°C, the battery must **NOT** be **charged**. Battery lifespan is reduced in these conditions.

Maintain your battery within this range for optimum battery lifespan and performance.

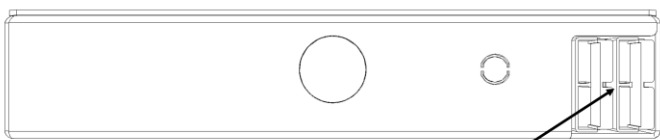
At temperatures below 0°C, the battery must **NOT** be **charged**. Battery performance is reduced in these conditions.

At temperatures below -20°C, the battery must **NOT** be **operated** (charge or loads). Please move the battery into a warmer environment.

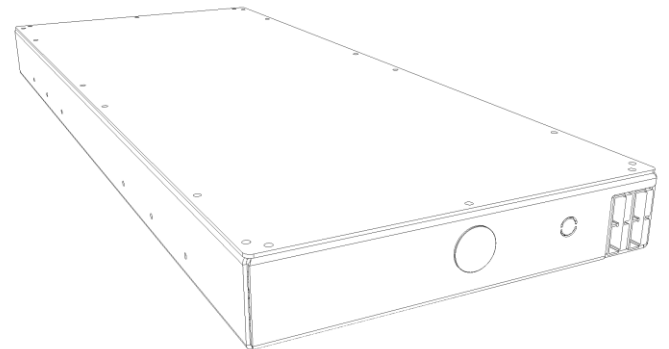
### OPTIONAL EXTRAS

- Cable connection kit
- Monitoring kit

### WIREFRAME DIAGRAM



2x Grey Anderson Sockets



### INCLUSIONS

Mounting bracket kit

