

## 12V 440Ah Battery - 400A Output

Constructed using the latest lithium iron phosphate cells. These prismatic cells are the highest quality in a metal hard case. The battery has an inbuilt Battery Management System (BMS) designed and developed in Australia.

At just under 43 kg, the LBS-12440-M400 is the ultimate upgrade to a deep cycle lead-acid battery. This compact and light-weight battery is ideal for use in caravans, canopies, camping and more.

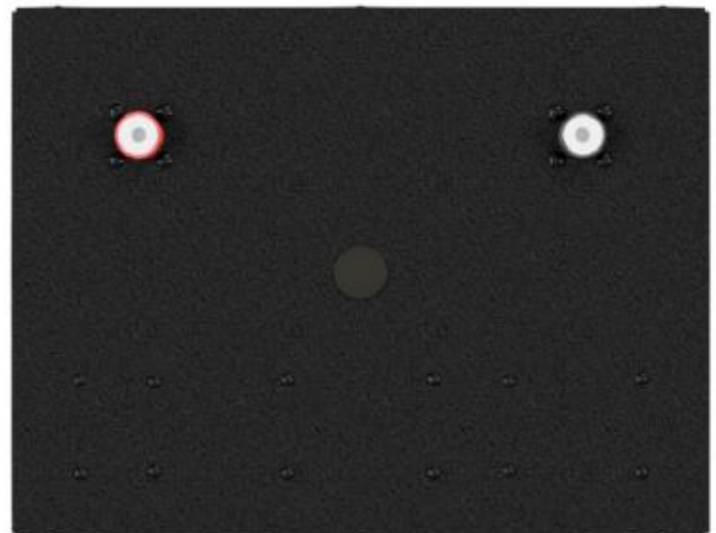
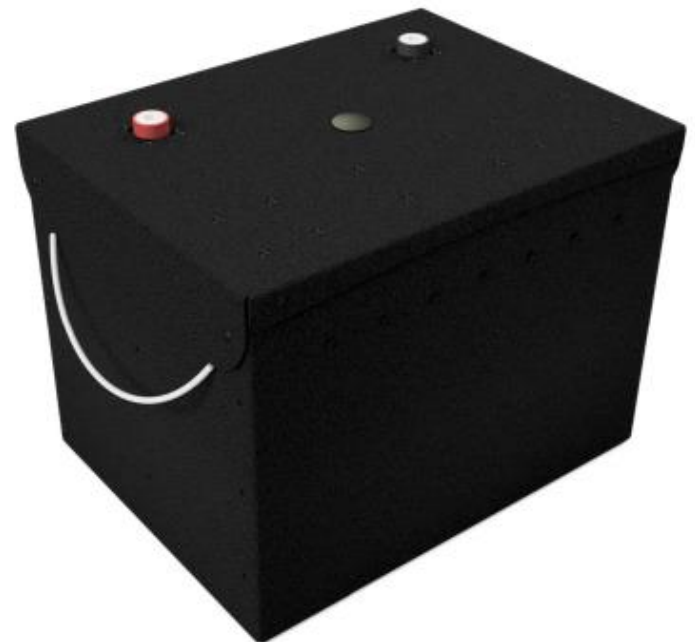
The battery provides up to 400A of continuous discharge or charge and can be used in parallel to increase capacity. Charge and discharge via the M8 threaded terminals.

The strong aluminium outer enclosure delivers a safe, lightweight and powerful unit which is the perfect building block for next generation battery systems.

### SPECIFICATIONS

#### LBS-12440-M400

Chemistry	LiFePO <sub>4</sub>
Nominal Voltage	12 V
Nominal Capacity	440 Ah
Nominal Energy	5.3 kWh
Input Charge Voltage	13.8 V - 14.6 V
	14.0 V recommended
100% SoC Voltage	13.8 V
Low Voltage cut-off	10.5 V approx.
Charge Current	400 A recommended
	440 A max.
Discharge Current	440 A max cont.
	800 A surge
Operating Temp.	See overleaf
Weight	42.6 kg
Packaged Weight	43.2 kg
Life at 80% DoD	2000 cycles
Life at 50% DoD	5000 cycles
Parallel Capable	Yes
Series Capable	No
Size	L 360 mm
	D 277 mm
	H <sub>1</sub> 283 mm
	H <sub>2</sub> 293 mm (inc. terminals/handles)



### FEATURES

- ✓ Strong, compact aluminium enclosure
- ✓ Internal BMS
- ✓ Over/Under voltage protection
- ✓ Overcurrent protection
- ✓ Short circuit protection
- ✓ M8 Threaded Hole Terminals
- ✓ Designed and assembled in Australia



WARRANTY



DS\_LBS-12440-M400\_V7  
© Copyright 2024 LBS

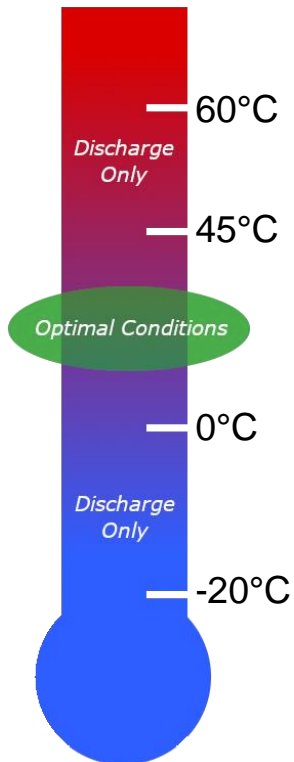
[www.lithiumbatterysystems.com.au](http://www.lithiumbatterysystems.com.au)



Powering Freedom™

## 12V 440Ah Battery - 400A Output

### TEMPERATURE NOTICE



At temperatures above 60°C, the battery must **NOT** be **operated** (charge or loads). Please move the battery into a cooler environment.

At temperatures above 45°C, the battery must **NOT** be **charged**. Battery lifespan is reduced in these conditions.

Maintain your battery within this range for optimum battery lifespan and performance.

At temperatures below 0°C, the battery must **NOT** be **charged**. Battery performance is reduced in these conditions.

At temperatures below -20°C, the battery must **NOT** be **operated** (charge or loads). Please move the battery into a warmer environment.

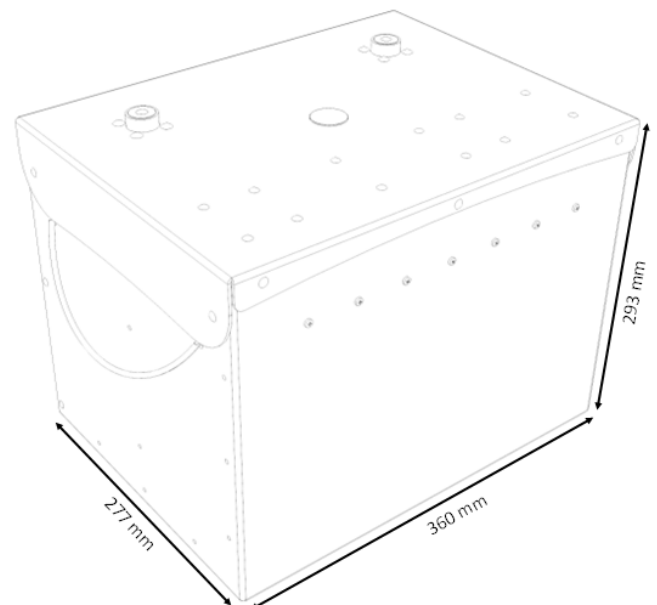
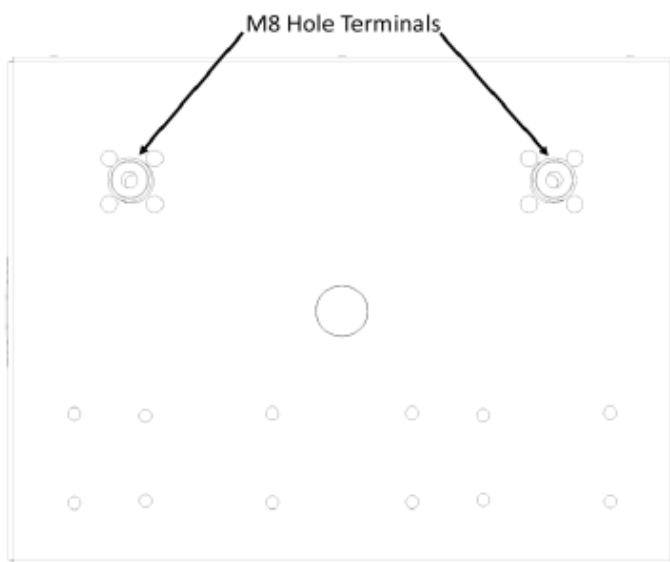
### OPTIONAL EXTRAS

- Cable connection kit
- Monitoring kit

### INCLUSIONS

Mounting bracket kit

### WIREFRAME DIAGRAM



DS\_LBS-12440-M400\_V7  
© Copyright 2024 LBS

[www.lithiumbatterysystems.com.au](http://www.lithiumbatterysystems.com.au)



Powering Freedom™