

12V 330Ah Battery - 240A Output

Constructed using the latest lithium iron phosphate cells. These prismatic cells are the highest quality in a metal hard case. The battery has an inbuilt Battery Management System (BMS) designed and developed in Australia.

At just under 33 kg, the LBS-12330-M240 is the ultimate upgrade to a deep cycle lead-acid battery. This compact and light-weight battery is ideal for use in caravans, canopies, camping and more.

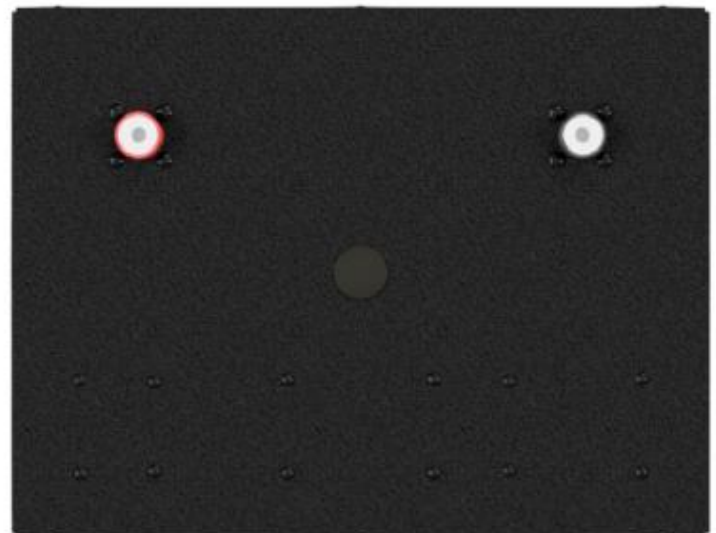
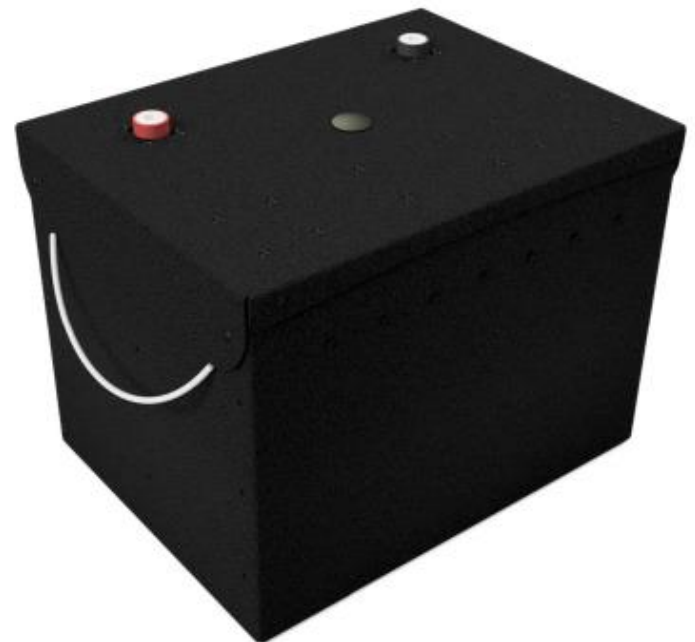
The battery provides up to 240A of continuous discharge or charge and can be used in parallel to increase capacity. Charge and discharge via the M8 threaded terminals.

The strong aluminium outer enclosure delivers a safe, lightweight and powerful unit which is the perfect building block for next generation battery systems.

SPECIFICATIONS

LBS-12330-M240

Chemistry	LiFePO ₄
Nominal Voltage	12 V
Nominal Capacity	330 Ah
Nominal Energy	4.0 kWh
Input Charge Voltage	13.8 V - 14.6 V
	14.0 V recommended
100% SoC Voltage	13.8 V
Low Voltage cut-off	10.5 V approx.
Charge Current	210 A recommended
	240 A max.
Discharge Current	240 A max cont.
	480 A surge
Operating Temp.	See overleaf
Weight	32.6 kg
Packaged Weight	33.2 kg
Life at 80% DoD	2000 cycles
Life at 50% DoD	5000 cycles
Parallel Capable	Yes
Series Capable	Yes (Max. 2 in series)
Size	L 360 mm
	D 277 mm
	H ₁ 283 mm
	H ₂ 293 mm (inc. terminals/handles)



FEATURES

- ✓ Strong, compact aluminium enclosure
- ✓ Internal BMS
- ✓ Over/Under voltage protection
- ✓ Overcurrent protection
- ✓ Short circuit protection
- ✓ M8 Threaded Hole Terminals
- ✓ Designed and assembled in Australia



WARRANTY



DS_LBS-12330-M240_V7
© Copyright 2024 LBS

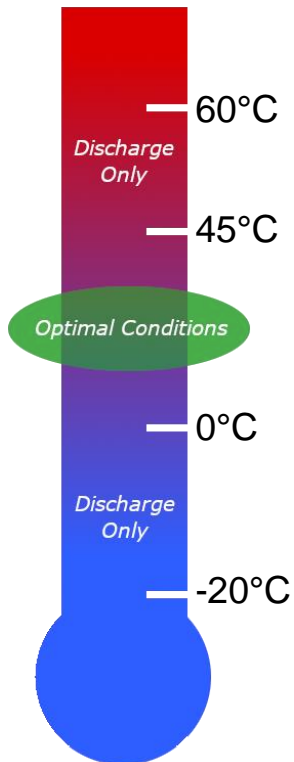
www.lithiumbatterysystems.com.au



Powering Freedom™

12V 330Ah Battery - 240A Output

TEMPERATURE NOTICE



At temperatures above 60°C, the battery must **NOT** be **operated** (charge or loads). Please move the battery into a cooler environment.

At temperatures above 45°C, the battery must **NOT** be **charged**. Battery lifespan is reduced in these conditions.

Maintain your battery within this range for optimum battery lifespan and performance.

At temperatures below 0°C, the battery must **NOT** be **charged**. Battery performance is reduced in these conditions.

At temperatures below -20°C, the battery must **NOT** be **operated** (charge or loads). Please move the battery into a warmer environment.

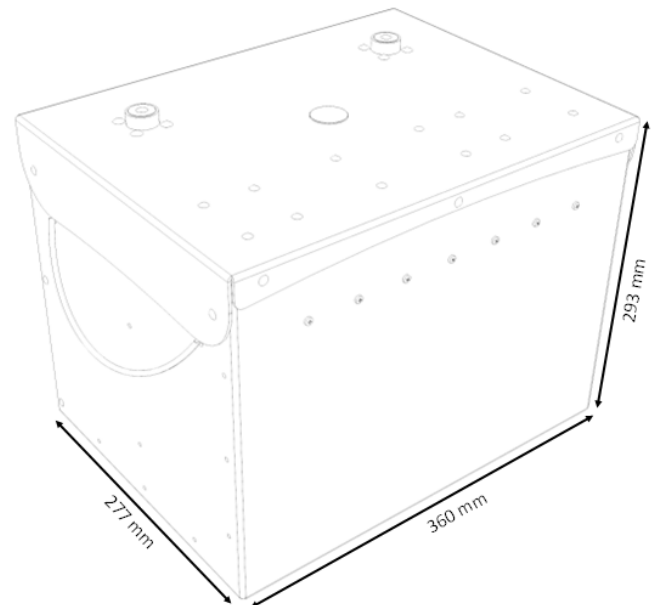
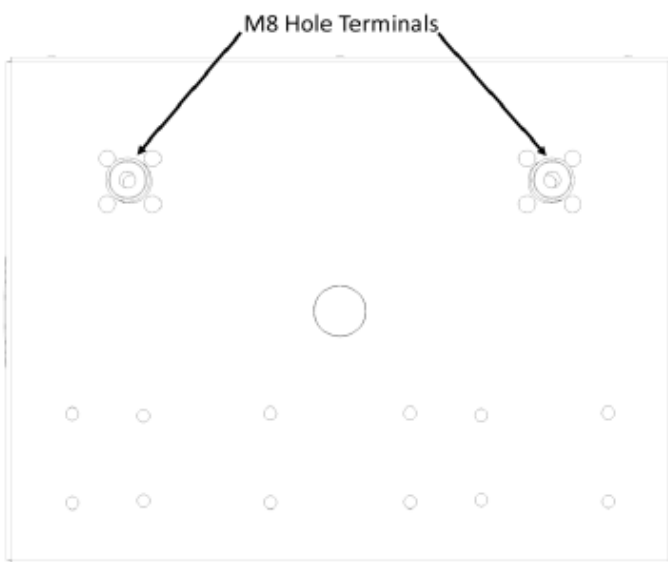
OPTIONAL EXTRAS

- Cable connection kit
- Monitoring kit

INCLUSIONS

Mounting bracket kit

WIREFRAME DIAGRAM



WARRANTY



DS_LBS-12330-M240_V7
© Copyright 2024 LBS

www.lithiumbatterysystems.com.au



Powering Freedom™